



Institutional infrastructure and elite cyber security built for digital resilience.

CONSAI | Dubai & GCC Region

Institutional vulnerability becomes expensive when infrastructure is fragmented.

Legacy systems, weak cloud structure, and fragmented security increase operational risk and undermine continuity in the GCC market.

The compounding cost of fragmented digital infrastructure.

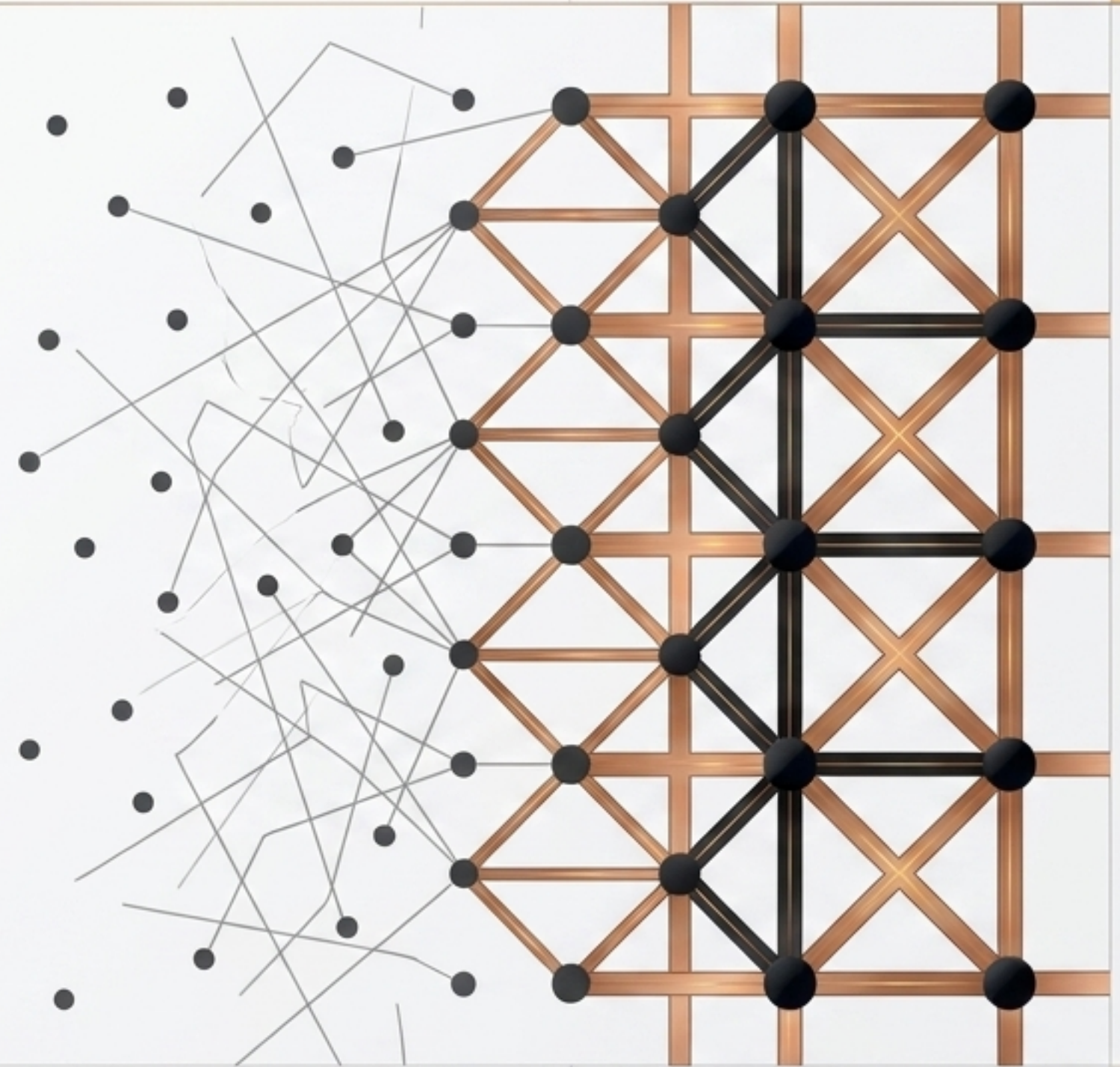


The Fragmentation Risk Triangle



Engineering sovereign digital foundations.

Threat reduction, hardened access, and defense-oriented architecture aligned into one resilient layer. CONSAI engineers systems for businesses that demand stronger governance, continuity, and institutional trust.



Infrastructure resilience and protected cloud logic engineered for business continuity.

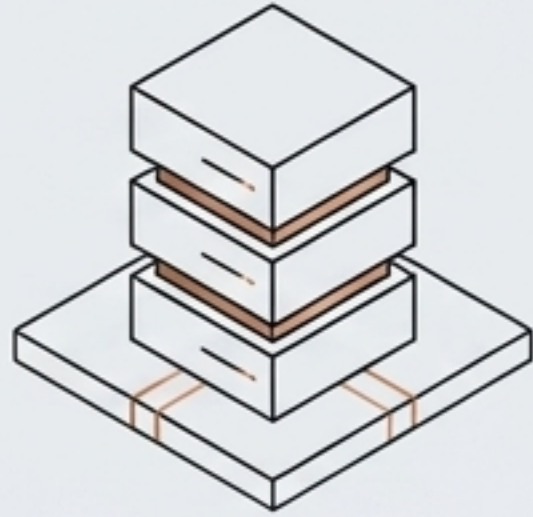
Institutional Cyber Security
Cyber defense layers shaped to reduce exposure and improve operational confidence.

Structured infrastructure decisions across cloud deployment, access control, and resilience.



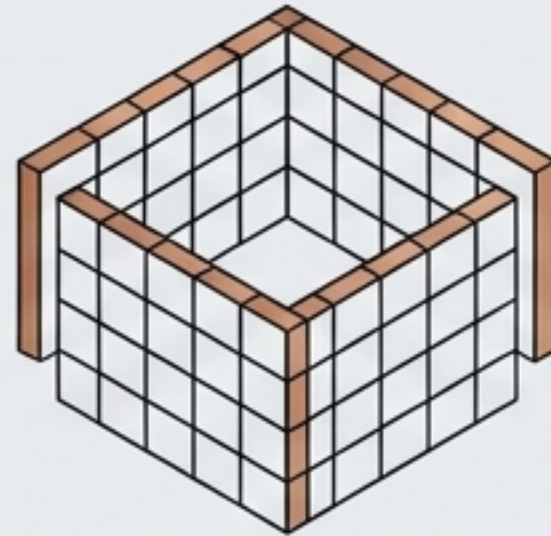
Cloud-oriented logic shaped around performance, access, and compliance.

AWS & Azure



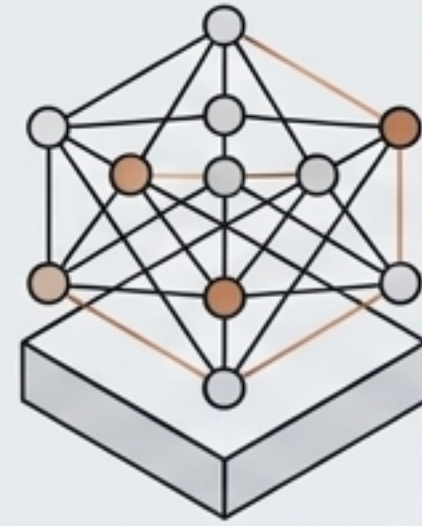
Managed deployment logic optimized for execution in compliance-sensitive environments.

Cloud Control



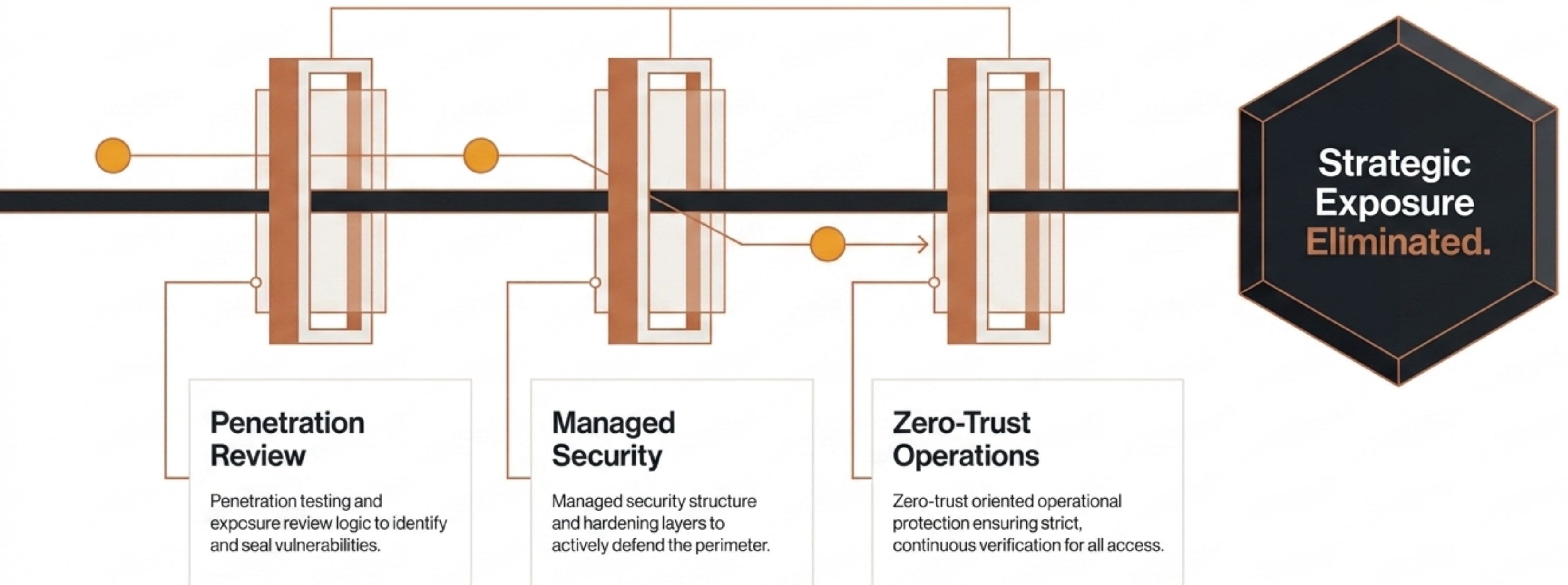
Institutional firewall and access control structures to maintain strict data boundaries.

Fortress Logic



Resilient cloud engineering built specifically for stronger operational continuity.

Advanced digital protection and operational defense readiness.



Institutional tiers for resilient digital asset protection

and infrastructure hardening.

Select your infrastructure investment tier.

Core Infrastructure

AED 25,000*

Foundational cloud architecture and baseline resilience.

- ✓ Managed AWS / Azure deployment
- ✓ Institutional firewall configuration
- ✓ Foundational cloud control layer

Institutional Shield

AED 65,000*

A harder defensive environment requiring stronger resilience and governance.

- ✓ Full penetration audit
- ✓ Sovereign compliance sync
- ✓ Hardened defense node logic

Global Sovereign

Custom

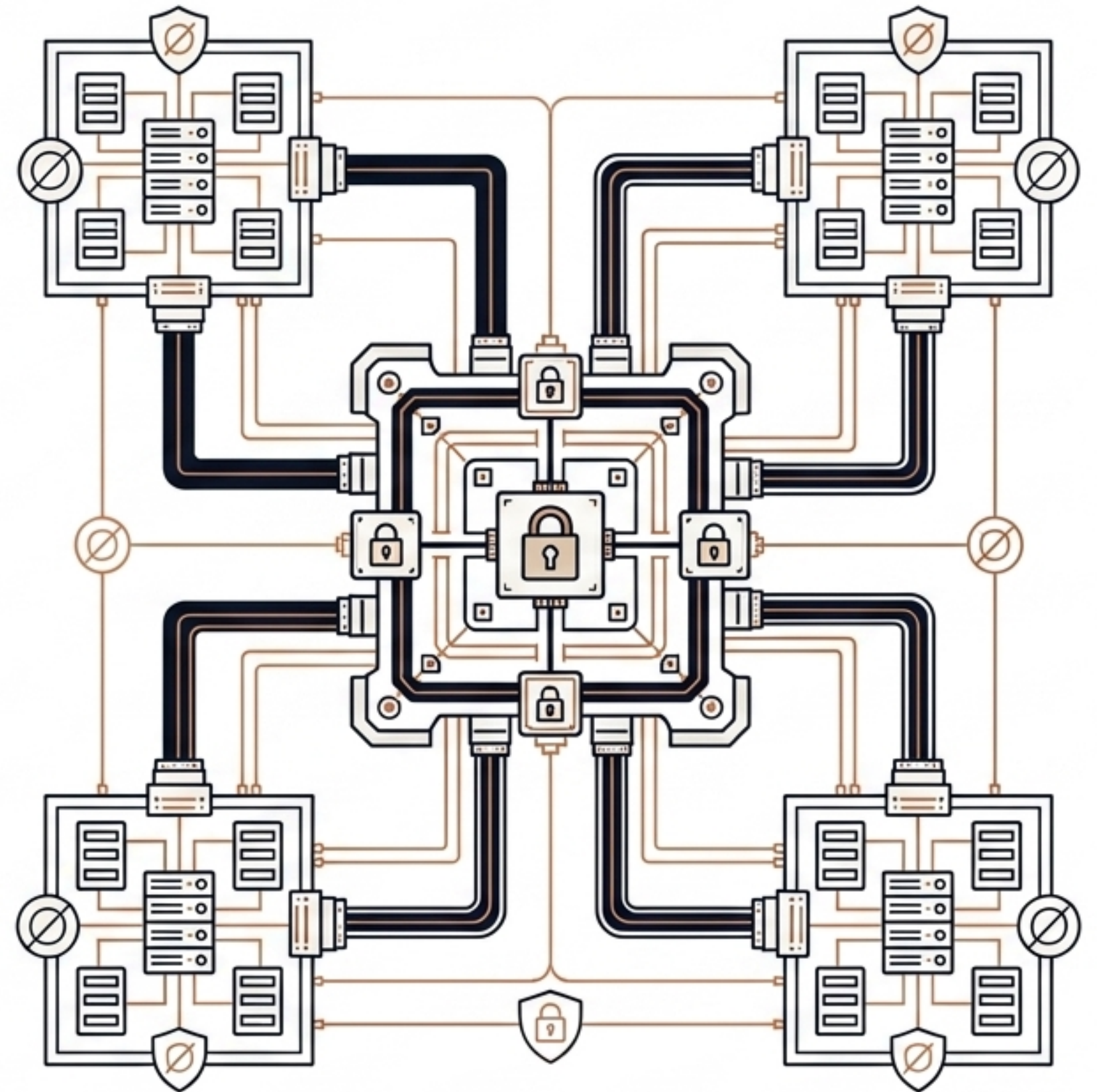
Multi-node infrastructure for broader operational control.

- ✓ Private cloud engineering
- ✓ 24/7 managed security operations
- ✓ Expanded sovereign infrastructure scope

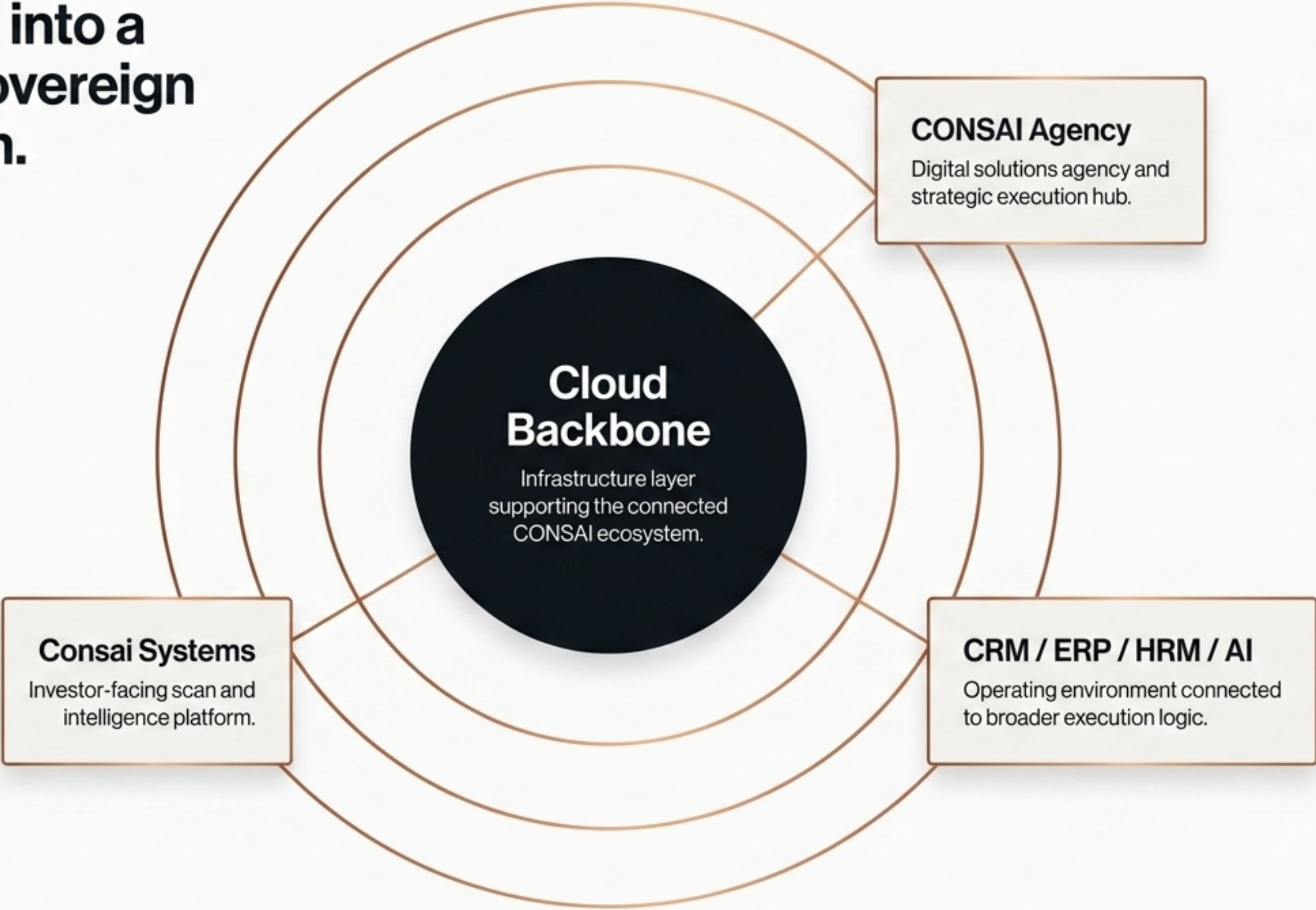
The Sovereign Advantage: Complete operational control.

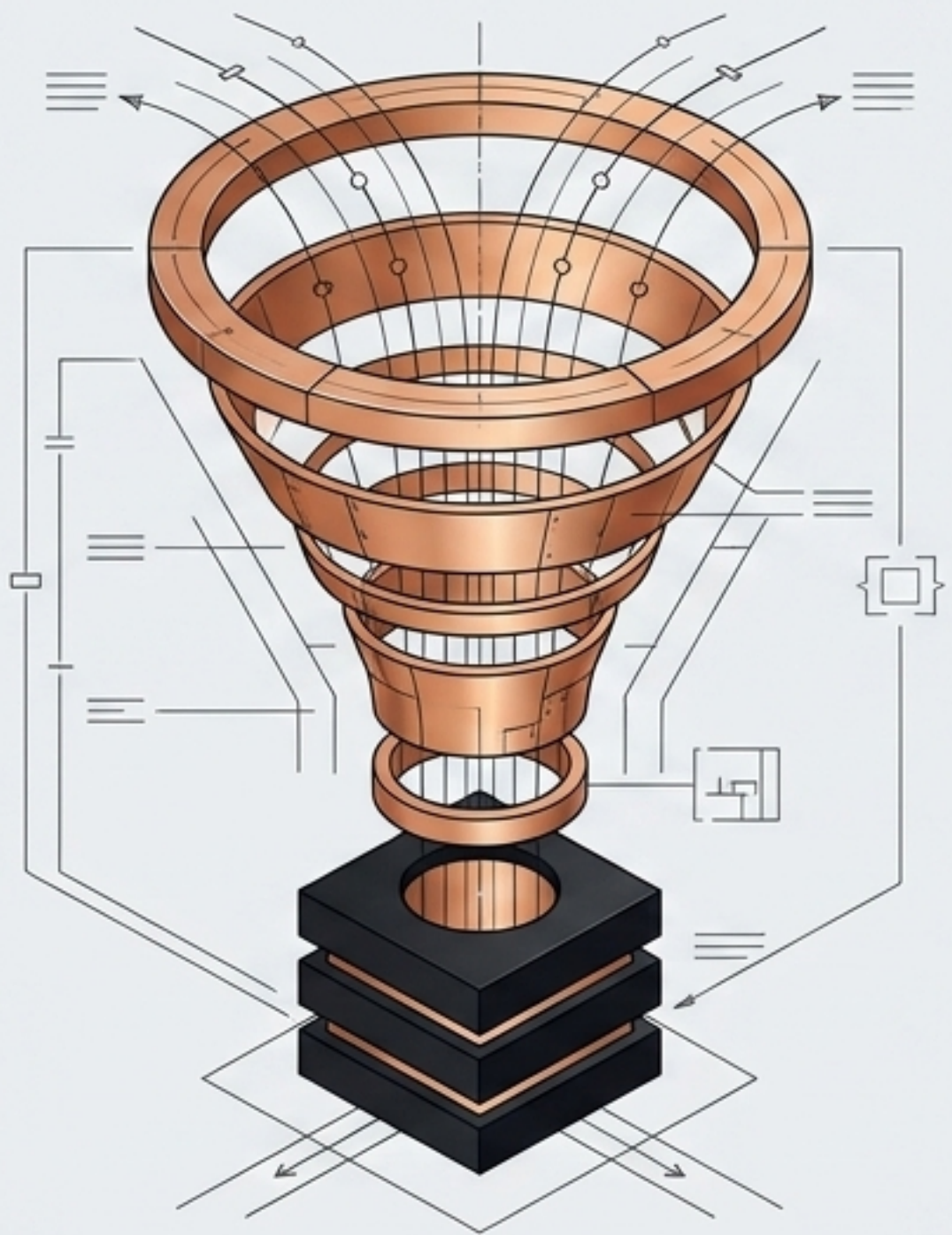
Designed for global institutions, this custom environment expands beyond foundational cloud control. It **delivers continuous, 24/7 managed security operations and private cloud engineering** for organizations that cannot compromise on digital sovereignty.

✓	Private Cloud Engineering
✓	24/7 Managed SecOps
✓	Deep Operational Control



**Integrated into a
broader sovereign
ecosystem.**





Initialize your technical feasibility review.

Share the cloud or security requirements you want to evaluate. Connect with the infrastructure architects behind your next secure digital foundation.

[Request Technical Audit]

Official Governance & Contact Protocols

Entity Identity:

Consai Web Agency FZ-LLC

Licensing:

Ras Al Khaimah Economic Zone (RAKEZ), UAE
License No: 47031419

Operating Headquarters:

Compass Building, Al Hulaila Industrial Zone,
Ras Al Khaimah, United Arab Emirates

Digital Hub & Architecture Lines:

consaiagency.com | info@consaiagency.com
+971 52 296 4119 | +971 58 581 1459